

Thunderbolt™ 5
M.2 PCIe SSD PCBA Spec



2025-01-02

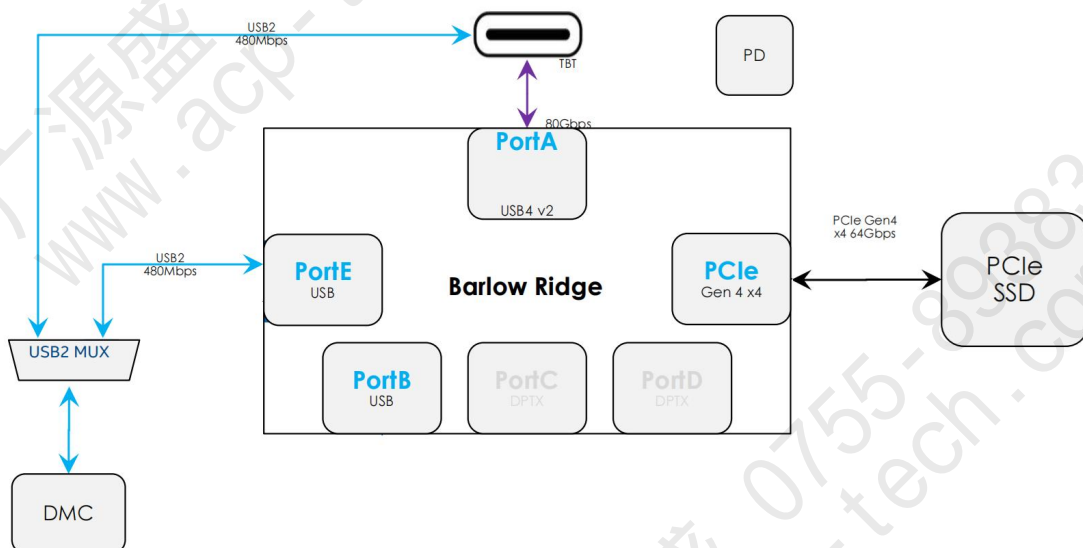
Catalogue

Overview	3
Features	3
Block Diagram	4
Controller List	4
PCBA Dimension	5
Speed Test	6

Overview

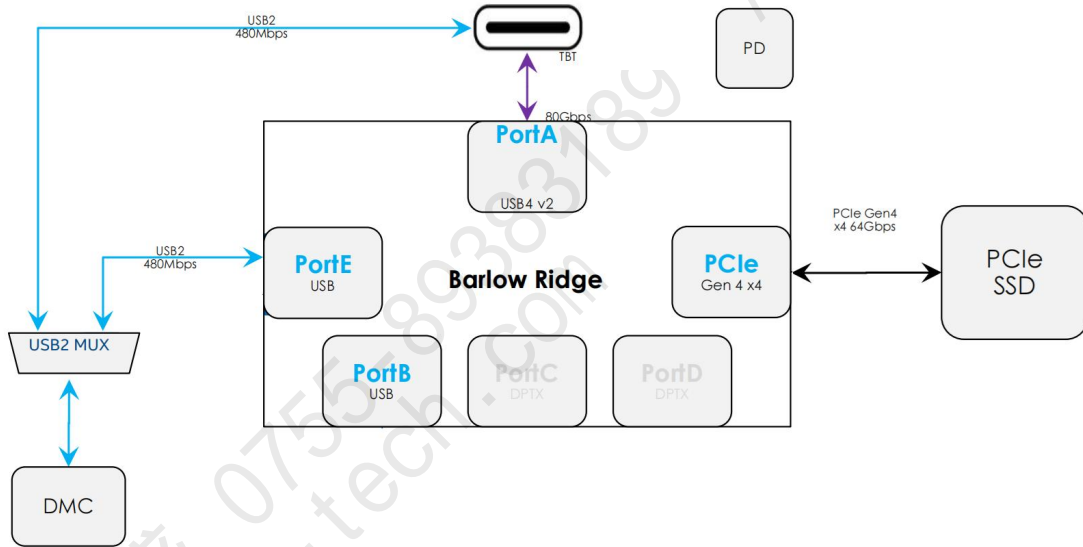
Barlow Ridge Hub is a USB4 Ver2 controller that acts as a Hub or a point of exit in the USB4 Ver2 domain. The USB4 Ver2 domain is built as a tiered-star topology of TBT/USB4 enabled products. ACP Thunderbolt 5 SSD use the Barlow Ridge to design the PCIe Gen4 x4 M.2 socket, speed up to 7000MB/S.

Features



- Single Thunderbolt™ 5 UFP Port
- Barlow Ridge JHL9480 inside
- Thunderbolt 5/4/USB4 host support only
- Not support the Thunderbolt3 host and USB3.2/3.1/3.0/2.0 host
- Designed for Bus Powered Devices (BPD)
- M.2 M Key SSD Socket
- PCIe Gen4 x4

Block Diagram



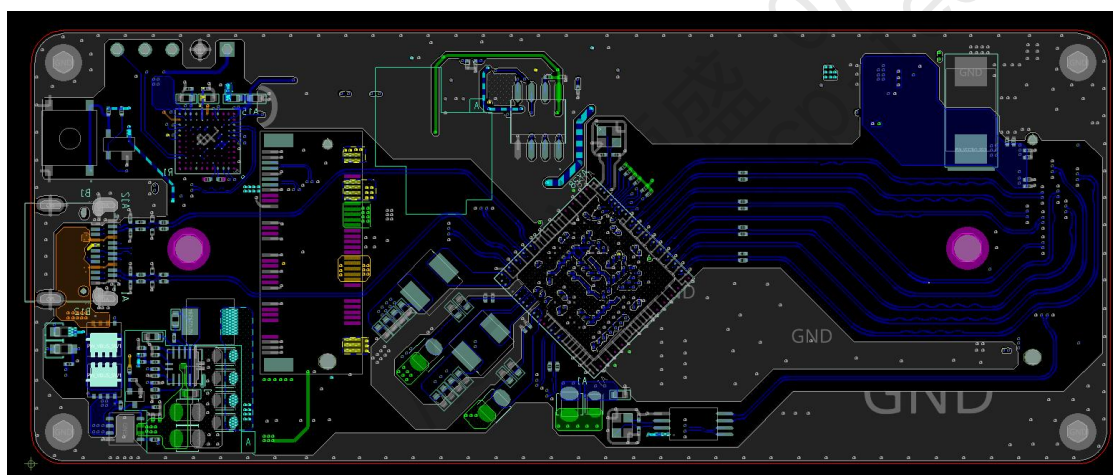
Controller List

- Barlow Ridge JHL9480
- CYPM1322

PCBA Dimension



99mm(L) x 40mm(W)

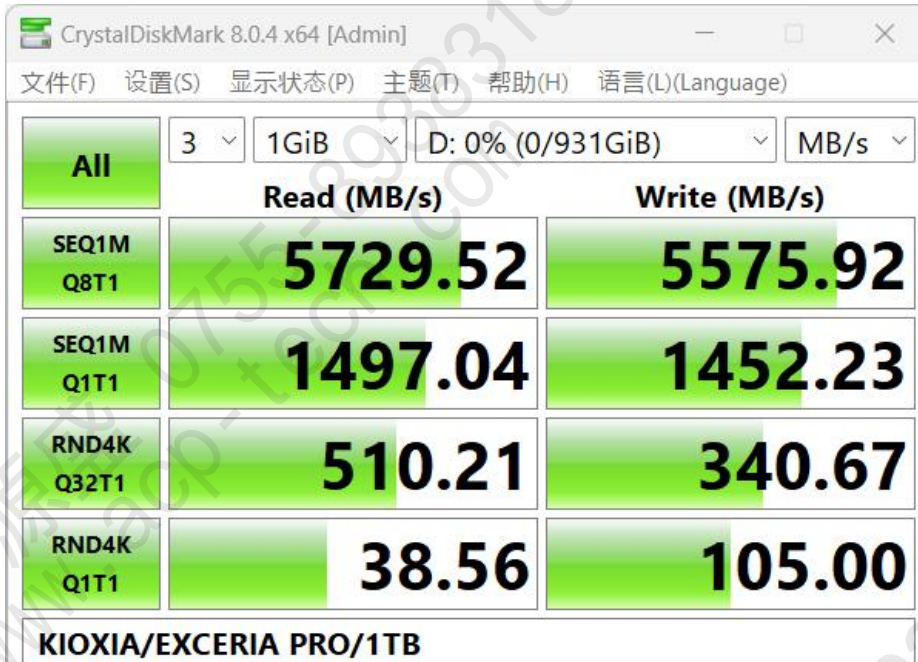


Speed Test

Test PC: Razer Blade18 2024

Test SSD: KIOXIA SE10

Windows 11



Test PC: Mac Book Pro/M4 pro 16"

Test SSD: SAMSUNG 990PRO

Mac OS 15.2

